



**OTIF**

MODERN STEEL-GLASS LOFT GLAZING  
**LETTING LIGHT INTO YOUR SPACE**

## MANAGE YOUR SPACE

We specialize in the production of made-to-measure loft doors and glazing panels according to your needs. Thanks to our glazing you will easily and effectively divide the space or section separate rooms off without limiting access to natural daylight and without overwhelming your interior.

We will design any space with you so that it is safe and functional.



Prestige doors and screens go perfectly together with both industrial and elegant or modern spaces. Our glazing is a unique decorative element that gives the interior an individual character. We realize our projects both for residential interiors and for office and commercial spaces.

Our instructors have thought of all the important details. The Prestige line is specially designed, unique profiles made from the highest quality zinc coated steel. The profiles' special shape and thickness enables the use of a particularly thin (20 mm) door profile, uncommon on the European market.

The Prestige line stands for attention to detail and functionality. We use only professional UV seals for facade applications. We choose exclusively powder coating in order to ensure surface durability for many years. We pick entirely secure glass panels. We do not use silicones. All the above-named qualities mean that we are not afraid to name our product the Prestige line.



## TYPES OF GLAZING

We offer different sorts of products: fixed screens as well as hinged, sliding and pivoting doors, each in a single or double-leaf option.



## SLIDING SYSTEM VARIANTS

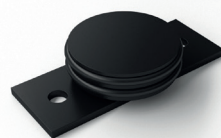
Installation on decorative loft wheels



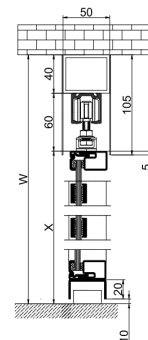
Installation on a sliding rail to a wall or ceiling



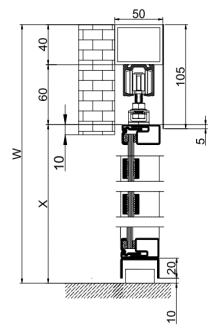
- 1  $\pm 5$  mm - the distance between the wall and the door leaf
- 2 the value reducing the width of the passage (it results from the construction and fixing of the grip)



Floor slide for sliding door



Installation to the ceiling



Installation to the wall (lintel)

## TYPES OF DOOR HANDLES/ GRIPS

**Circo** door handle

INCLUDED  
IN PRICE



**other colors:**  
• stainless steel

**Qubis** door handle

INCLUDED  
IN PRICE



**other colors:**  
• white  
• gold (gloss/matt)  
• silver (gloss/matt)

**Planus** door handle

INCLUDED  
IN PRICE



**other colors:**  
• white  
• silver matt

**Trex** door handle

EXTRA  
CHARGE



**other colors:**  
• gold matt  
• silver matt  
• brown matt



INCLUDED  
IN PRICE

**Gracia** grip



INCLUDED  
IN PRICE

**Estella** grip



INCLUDED  
IN PRICE

**Levem** grip



INCLUDED  
IN PRICE

**Loft** grip



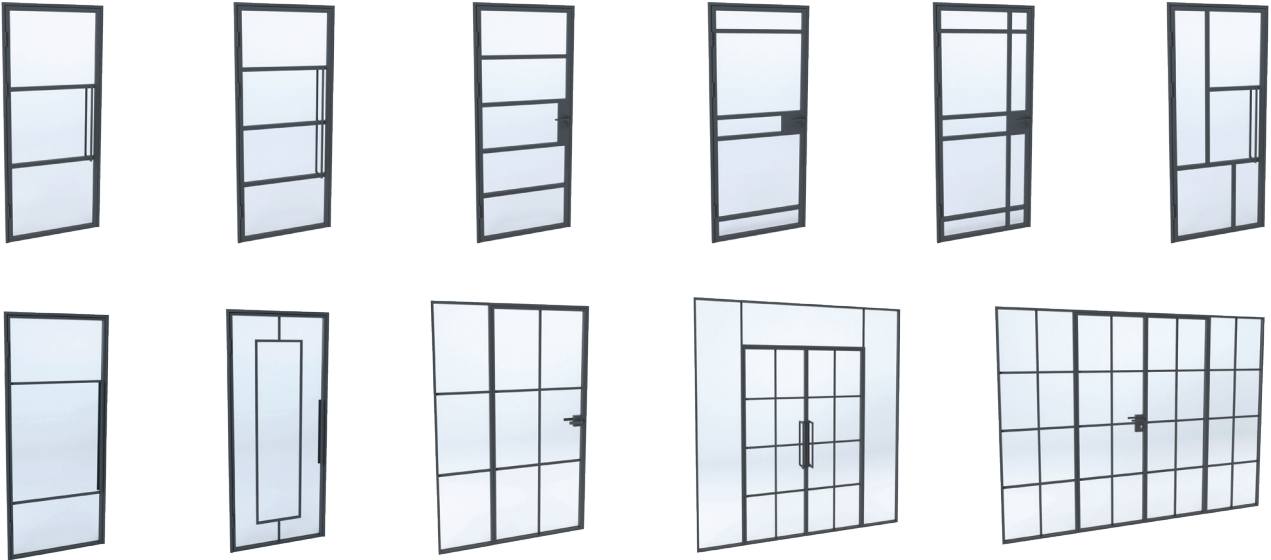
INCLUDED  
IN PRICE

**Secret** grip  
for sliding doors

**Note!** Colors: always in the color of the frame. Grips and handles are double-sided.

## TYPES OF INTERIOR MUNTIN BARS

Inside the frame of a door or fixed screens we are able to create any given arrangement of vertical and horizontal muntin bars. You can either choose from the muntin bars projects shown below or create your own combination.



The basic type is a Vienna muntin bar with a cross-section of 5 x 20 mm.



In case of large glazing or upon request a constructional muntin bar at the hinged side with dimensions of 20 x 25mm is available.

## COLORS OF FRAMES

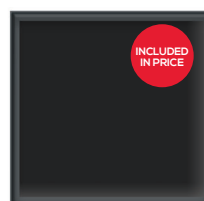
Black, white or maybe your favourite one? Products of the **Prestige** line are painted with the top quality powder coating used in facade production. The coating is applied using the powder painting method, which provides a hard and durable structure. Apart from the color base chosen by architects, we can also select a color from the international RAL palette.



**Black color**  
 RAL 9005  
 (Jet black)



**White color**  
 RAL 9003  
 (Signal white)



**Charcoal color**  
 RAL 7021  
 (Black grey)



**Color from the RAL palette**  
 upon request

## TYPES OF GLASS

Standardly, we use 6mm laminated safety glass (VSG) in two variants: transparent or milky. Our offer includes a wide range of other types of glass that will perfectly match your dream door. If you need a kind of glass that is not enlisted below, ask about it! We can arrange it for you!



transparent



milky



grey antisol



brown antisol



wired



black laminated



flutes



estradio



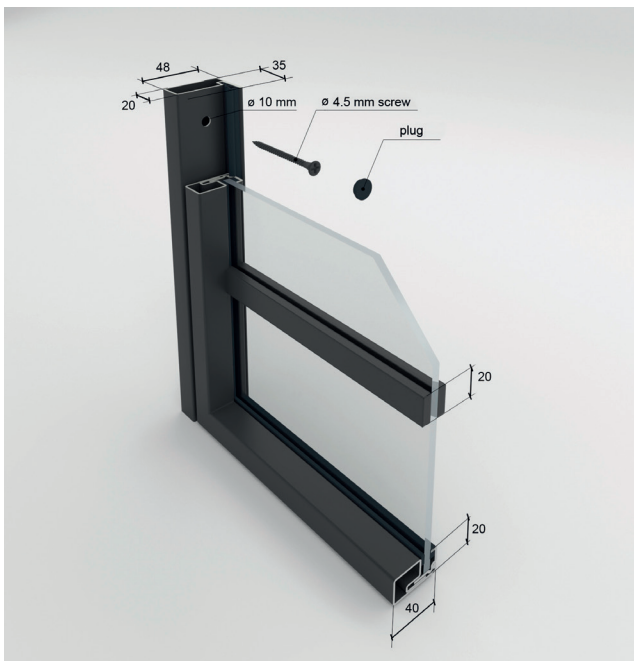
cathedral max



listral D

## INSTALLATION METHOD OF HINGED DOORS

Profiles are installed directly on the frame of the door or on fixed screens. The standard mounting clearance is 5 mm in terms of width and height. The use of assembly foam is not recommended. Construction's weight is approx. 30 kg/ m<sup>2</sup>.





[www.prestigesteeldoors.co.uk](http://www.prestigesteeldoors.co.uk)

0808 123 12 32

[info@prestigesteeldoors.co.uk](mailto:info@prestigesteeldoors.co.uk)

Unit 6, 79a Lower Pillory Down, Coulsdon, Carshalton SM5 4DD